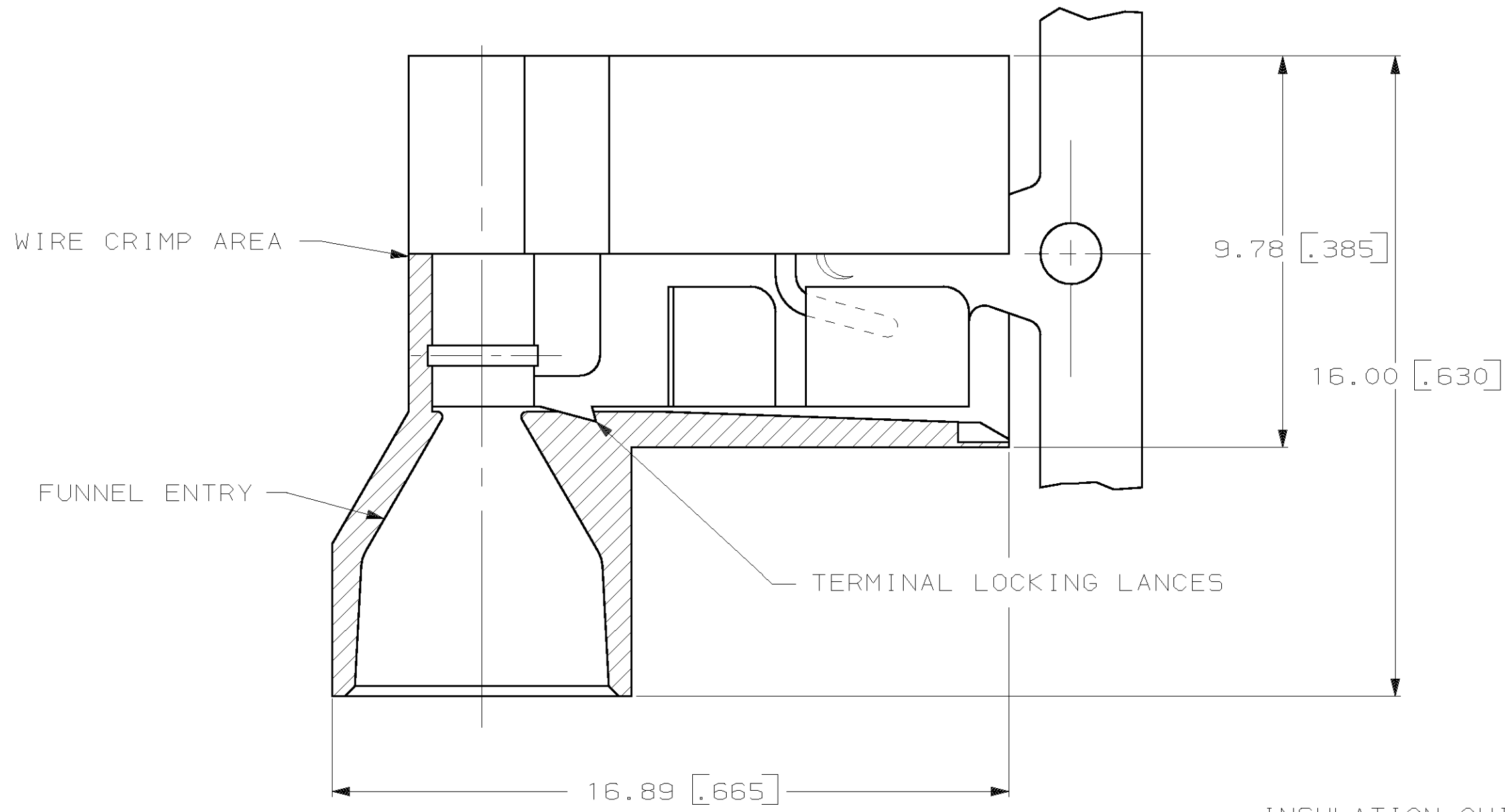
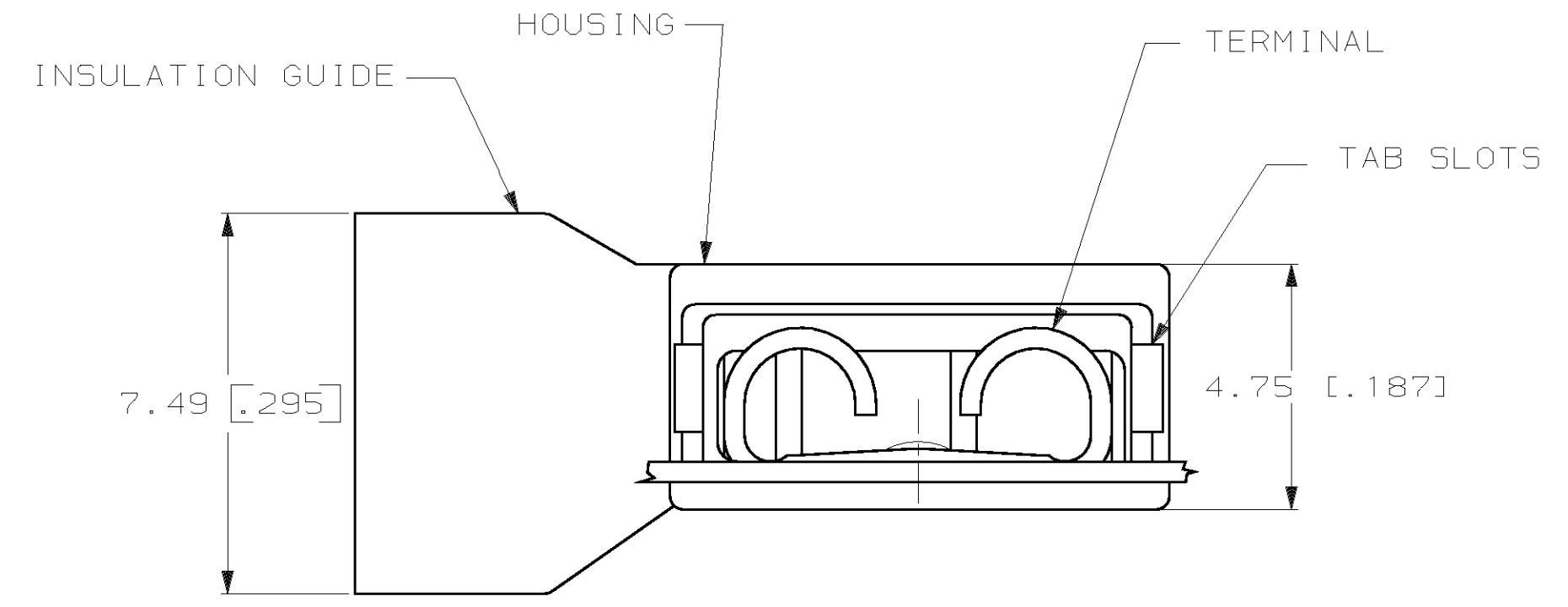
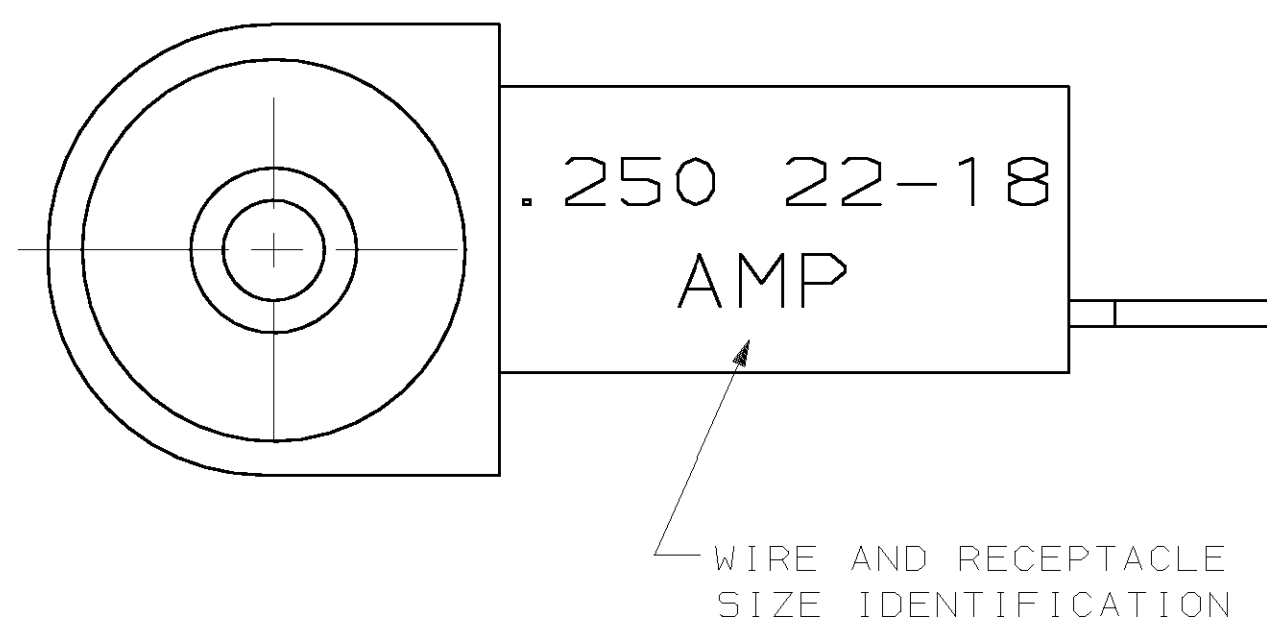


THIS DRAWING IS UNPUBLISHED. RELEASED FOR PUBLICATION  
 © COPYRIGHT 19 BY AMP INCORPORATED, HARRISBURG, PA. ALL INTERNATIONAL RIGHTS RESERVED. AMP PRODUCTS MAY BE COVERED BY U.S. AND FOREIGN PATENTS AND/OR PATENTS PENDING.

LOC		DIST		P		F		ZONE		LTR		REVISIONS			
AF		50										DESCRIPTION	DATE	APPROVED	
												F	REV PER OG3A-0081-99	9AUG99	JR/JH



- 1 - FITS 0.81 ±0.025 X 6.35 [0.032 ±.001 X .250] TAB
- 2 - WIRE SIZE: 0.3 - 0.9mm<sup>2</sup> [22-18 AWG] (STRANDED ONLY)  
 STRIP LENGTH: ONE WIRE 7.94 [0.312]  
 TWO WIRES 8.51 [0.335]
- 3 - INSULATION SIZE: 5.84 [0.230] MAX DIA.
- 4 - DIMENSIONS IN BRACKETS ARE IN INCHES OR AWG.
- 5 - REFER TO PRODUCT SPEC 108-2043 FOR PERFORMANCE DATA.
- 6 - CONTINUOUS STRIP



UNLESS OTHERWISE SPECIFIED DIMENSIONS ARE IN INCHES mm TOLERANCES ON :		DR 8/25/86 JR RUTH		RED TRANSLUCENT		6/6 NYLON		TIN		.016 BRASS		2-520856-2	
2 PL DEC ± -		CHK 8/25/86 G YETTER		FINISH HOUSING		MATERIAL		FINISH TERMINAL		MATERIAL		PART NO	
3 PL DEC ± 0.38 [015]		APPD 9/2/86 K RANDOLPH		SEE ABOVE		APPD 9/2/86 TL SHUTTER		PRODUCT SPEC		AMP INCORPORATED Harrisburg, Pa. 17105		NAME	
ANGLES ± -		APPD 9/2/86 TL SHUTTER		FINISH		APPLICATION SPEC		108-2043		.250 SERIES ULTRA-FAST FLAG RECEPTACLE ASS'Y		DRAWING NO	
MATERIAL		SEE ABOVE		SEE ABOVE		114-2123		WEIGHT		SIZE		F5CM NO	
SEE ABOVE		SEE ABOVE		SEE ABOVE		SEE ABOVE		SEE ABOVE		C		00779	
SEE ABOVE		SEE ABOVE		SEE ABOVE		SEE ABOVE		SEE ABOVE		SCALE		NTS	
SEE ABOVE		SEE ABOVE		SEE ABOVE		SEE ABOVE		SEE ABOVE		DRAWING NO		520856	
SEE ABOVE		SEE ABOVE		SEE ABOVE		SEE ABOVE		SEE ABOVE		SHEET		1 OF 1	

